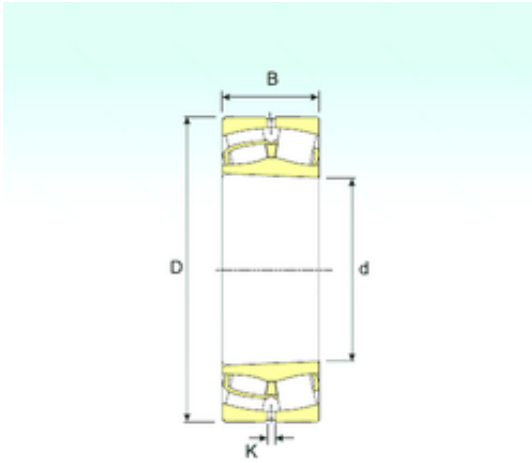




CSC BEARING GROUP limited



23256 K Bearing 2D drawings and 3D CAD models

280 mm x 500 mm x 176 mm ISB 23256 K Spherical roller bearing

Bearing No. 23256 K

| | |
|-------------------------------|----------------|
| Size | 280x500x176 mm |
| Bore Diameter | 280 mm |
| Outer Diameter | 500 mm |
| Width | 176 mm |
| d | 280 mm |
| D | 500 mm |
| B | 176 mm |
| C | 176 mm |
| K | 12 mm |
| Weight | 150 Kg |
| Basic dynamic load rating (C) | 3185 kN |
| Basic static load rating (C0) | 4802 kN |
| (Grease) Lubrication Speed | 841,5 r/min |