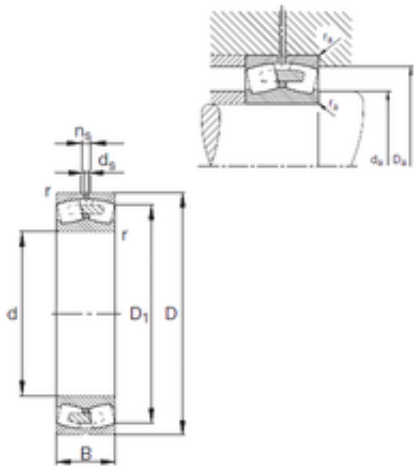




# CSC BEARING GROUP limited

## 320 mm x 580 mm x 150 mm FAG 22264-E1A-MB1 Spherical roller bearing



Bearing No. 22264-E1A-MB1

Size	320x580x150 mm
Bore Diameter	320 mm
Outer Diameter	580 mm
Width	150 mm
d	320 mm
D	580 mm
B	150 mm
C	150 mm
n	23,5 mm
r min.	5 mm
D1	505,1 mm
da min.	340 mm
Da max.	560 mm
ra max.	4 mm
d5	12,5 r/min
Weight	172 Kg
Basic dynamic load rating (C)	3550 kN
Basic static load rating (C0)	4700 kN
Fatigue load limit (Pu)	395
Reference speed	850 r/min
Limiting speed	1 400 r/min
Calculation factor (e)	0,25
Calculation factor (Y0)	2,65
Calculation factor (Y1)	2,71
Calculation factor (Y2)	4,04

22264-E1A-MB1 Bearing 2D drawings and 3D CAD models



# CSC BEARING GROUP limited