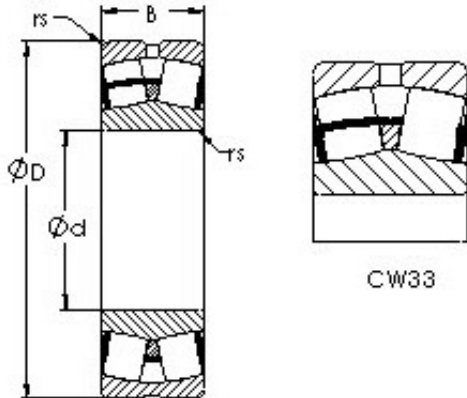




CSC BEARING GROUP limited



AST 22309CW33 Spherical roller bearing

Bearing No. 22309CW33

Size	45x100x36 mm
Bore Diameter	45 mm
Outer Diameter	100 mm
Width	36 mm
Bearing Type	straight bore, lube groove and holes
Bore Dia (d)	45.0000
Outer Dia (D)	100.0000
Width (B)	36.0000
Radius (min) (rs)	1.500
Dynamic Load Rating (Cr)	165,000
Static Load Rating (Cor)	190,000
Max Speed (Grease) (X1000 RPM)	4
Max Speed (Oil) (X1000 RPM)	5
Weight (g)	1,330.00
Material	52100 Chrome steel, or equivalent

22309CW33 Bearing 2D drawings and 3D CAD models