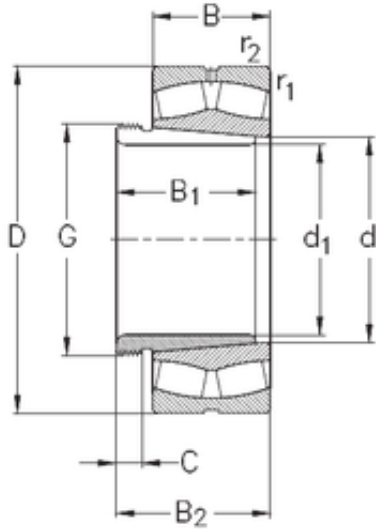




# CSC BEARING GROUP limited



140 mm x 250 mm x 68 mm NKE 22228-E-K-W33+AHX3128 Spherical roller bearing

Bearing No. 22228-E-K-W33+AHX3128

22228-E-K-W33+AHX3128 Bearing 2D drawings and 3D CAD models

Size	140x250x68 mm
Bore Diameter	140 mm
Outer Diameter	250 mm
Width	68 mm
d	140 mm
d1	135 mm
D	250 mm
B	68 mm
C	68 mm
r1 min.	3 mm
r2 min.	3 mm
B1	83 mm
B2	88 mm
C	14 mm
Thread (G)	M 150x2
Weight	16 Kg
Basic dynamic load rating (C)	747 kN
Basic static load rating (C0)	1080 kN
Limiting speed	3200 r/min
Calculation factor (e)	0,25
Calculation factor (Y0)	2,5
Calculation factor (Y1)	2,7