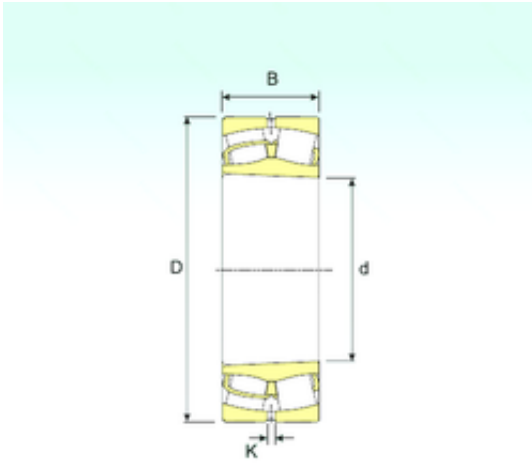




CSC BEARING GROUP limited



130 mm x 200 mm x 69 mm ISB 24026 K30
Spherical roller bearing

Bearing No. 24026 K30

Size	130x200x69 mm
Bore Diameter	130 mm
Outer Diameter	200 mm
Width	69 mm
d	130 mm
D	200 mm
B	69 mm
C	69 mm
K	3 mm
Weight	8,05 Kg
Basic dynamic load rating (C)	529 kN
Basic static load rating (C0)	799 kN
(Grease) Lubrication Speed	2295 r/min

24026 K30 Bearing 2D drawings and 3D CAD models