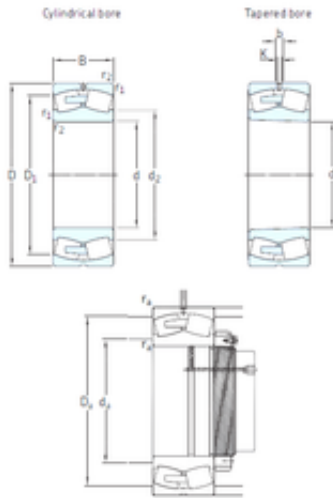




# CSC BEARING GROUP limited



800 mm x 1150 mm x 345 mm SKF  
240/800ECAK30/W33 Spherical roller bearing

Bearing No. 240/800ECAK30/W33

240/800ECAK30/W33 Bearing 2D drawings and 3D CAD models

Size	800x1150x345 mm
Bore Diameter	800 mm
Outer Diameter	1150 mm
Width	345 mm
d	800 mm
D	1150 mm
B	345 mm
C	345 mm
b	22,3 mm
d2	910 mm
r1 min.	7,5 mm
r2 min.	7,5 mm
D1	1028 mm
K	12 mm
da min.	828 mm
Da max.	1122 mm
ra max.	6 mm
Weight	1200 Kg
Basic dynamic load rating (C)	12900 kN
Basic static load rating (C0)	28500 kN
Fatigue load limit (Pu)	1730
Reference speed	220 r/min
Limiting speed	400 r/min
Calculation factor (e)	0,27
Calculation factor (Y0)	2,5



## CSC BEARING GROUP limited

Calculation factor (Y1)	2,5
-------------------------	-----