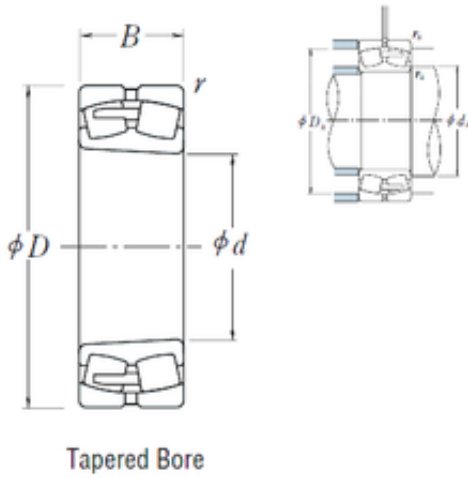




CSC BEARING GROUP limited

400 mm x 720 mm x 256 mm NSK 23280CAKE4 Spherical roller bearing

Bearing No. 23280CAKE4



23280CAKE4 Bearing 2D drawings and 3D CAD models

Size	400x720x256 mm
Bore Diameter	400 mm
Outer Diameter	720 mm
Width	256 mm
d	400 mm
D	720 mm
B	256 mm
C	256 mm
r min.	6 mm
da min.	428 mm
Da min	610 mm
Da max.	692 mm
ra max.	5 mm
Weight	449 Kg
Basic dynamic load rating (C)	5800 kN
Basic static load rating (C0)	10400 kN
(Grease) Lubrication Speed	340 r/min
(Oil) Lubrication Speed	450 r/min
Calculation factor (e)	0,36
Calculation factor (Y0)	1,9
Calculation factor (Y2)	2,8