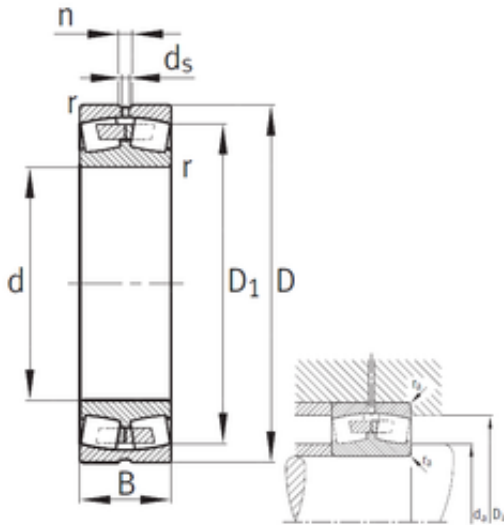




# CSC BEARING GROUP limited



## 320 mm x 540 mm x 218 mm FAG 24164-B Spherical roller bearing

Bearing No. 24164-B

Size	320x540x218 mm
Bore Diameter	320 mm
Outer Diameter	540 mm
Width	218 mm
d	320 mm
D	540 mm
B	218 mm
C	218 mm
n	17,7 mm
r min.	5 mm
D1	456,1 mm
da min.	340 mm
Da max.	520 mm
ra max.	4 mm
d5	9,5 r/min
Weight	204 Kg
Basic dynamic load rating (C)	3800 kN
Basic static load rating (C0)	7350 kN
Fatigue load limit (Pu)	530
Reference speed	415 r/min
Limiting speed	850 r/min
Calculation factor (e)	0,41
Calculation factor (Y0)	1,61
Calculation factor (Y1)	1,65

24164-B Bearing 2D drawings and 3D CAD models