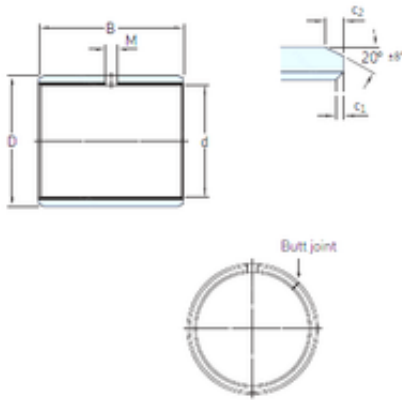




# CSC BEARING GROUP limited

## 50,8 mm x 55,563 mm x 38,1 mm SKF PCZ 3224 M sliding bearing



Bearing No. PCZ 3224 M

Size	50.8x55.563x38.1 mm
Bore Diameter	50,8 mm
Outer Diameter	55,563 mm
Width	38,1 mm
d	50,8 mm
D	55,563 mm
B	38,1 mm
c1 min	0,2 mm
c2 min	1,2 mm
M	6 mm
Weight	0,105 Kg
Basic dynamic load rating (C)	228 kN
c <sub>1</sub> min.	0.2 mm
c <sub>1</sub> max.	1 mm
c <sub>2</sub> min.	1.2 mm
c <sub>2</sub> max.	2.4 mm
± 8	20 °
Shaft diameter range min.	50.452 mm
Shaft diameter range max.	50.498 mm
Housing bore range min.	55.563 mm
Housing bore range max.	55.593 mm
Basic dynamic load rating - radial direction C	228 kN
Basic static load rating - radial direction C <sub>0</sub>	475 kN

PCZ 3224 M Bearing 2D drawings and 3D CAD models



## CSC BEARING GROUP limited

Specific dynamic load factor K	120 N/mm <sup>2</sup>
Specific static load factor K <sub>0</sub>	250 N/mm <sup>2</sup>
Factor depending on material and bearing type K <sub>M</sub>	1900
Permissible sliding velocity v min.	0 m/s
Permissible sliding velocity v max.	2.5 m/s
Coefficient of friction $\mu$ min.	0.02
Coefficient of friction $\mu$ max.	0.2
Mass bushing	0.1 kg