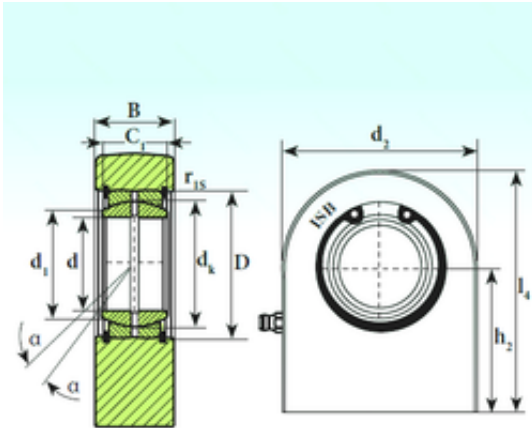




CSC BEARING GROUP limited



T.P.N. 325 Bearing 2D drawings and 3D CAD models

25 mm x 42 mm x 23 mm ISB T.P.N. 325 sliding bearing

Bearing No. T.P.N. 325

| | |
|-------------------------------|---------|
| Bore Diameter | 25 mm |
| Outer Diameter | 42 mm |
| d | 25 mm |
| D | 42 mm |
| d1 | 29,3 mm |
| d2 | 55 mm |
| dk | 35,5 mm |
| h2 | 45 mm |
| l4 max. | 72,5 mm |
| r min. | 0,6 mm |
| B | 23 mm |
| C1 | 20 mm |
| Angle | 7 ° |
| Weight | 0,53 Kg |
| Basic dynamic load rating (C) | 48 kN |