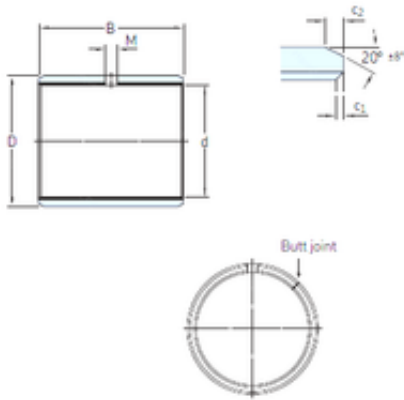




CSC BEARING GROUP limited



22,225 mm x 25,4 mm x 19,05 mm SKF PCZ
1412 M sliding bearing

Bearing No. PCZ 1412 M

PCZ 1412 M Bearing 2D drawings and 3D CAD models

Size	22.225x25.4x19.05 mm
Bore Diameter	22,225 mm
Outer Diameter	25,4 mm
Width	19,05 mm
d	22,225 mm
D	25,4 mm
B	19,05 mm
c1 min	0,1 mm
c2 min	0,2 mm
M	4 mm
Weight	0,015 Kg
Basic dynamic load rating (C)	49 kN
c ₁ min.	0.1 mm
c ₁ max.	0.7 mm
c ₂ min.	0.2 mm
c ₂ max.	1 mm
± 8	20 °
Shaft diameter range min.	21.913 mm
Shaft diameter range max.	21.943 mm
Housing bore range min.	25.4 mm
Housing bore range max.	25.42 mm
Basic dynamic load rating - radial direction C	49 kN
Basic static load rating - radial direction C ₀	102 kN



CSC BEARING GROUP limited

Specific dynamic load factor K	120 N/mm ²
Specific static load factor K_0	250 N/mm ²
Factor depending on material and bearing type K_M	1900
Permissible sliding velocity v min.	0 m/s
Permissible sliding velocity v max.	2.5 m/s
Coefficient of friction μ min.	0.02
Coefficient of friction μ max.	0.2
Mass bushing	0.015 kg