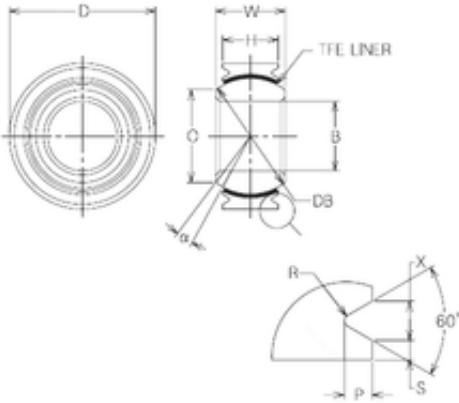




CSC BEARING GROUP limited

14 mm x 27,5 mm x 14 mm NMB MBT14V
sliding bearing

Bearing No. MBT14V



MBT14V Bearing 2D drawings and 3D CAD models

Size	14x27.5x14 mm
Bore Diameter	14 mm
Outer Diameter	27,5 mm
Width	14 mm
d	14 mm
D	27,5 mm
B	14 mm
C	11 mm
P	1,5 mm
Db	23,019 mm
X	2 mm
O	18,3 mm
B	14 mm
D	27,5 mm
H	11 mm
R	0,5 mm
S	0,7 mm
W	14 mm
Angle	8 °
Weight	0,042 Kg
Basic dynamic load rating (C)	45,11 kN
Static load rating radial (C0)	101,98 kN