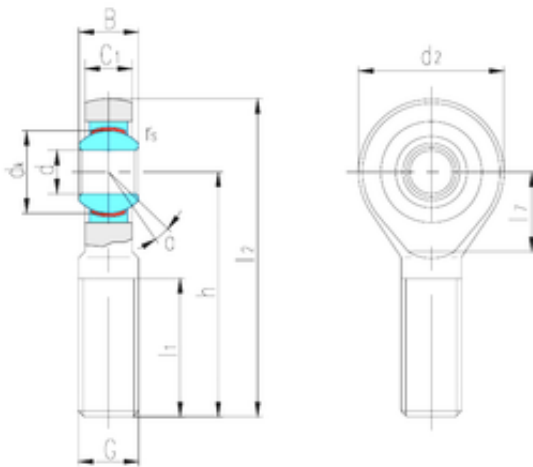




CSC BEARING GROUP limited



LS SAJK18C sliding bearing

Bearing No. SAJK18C

Bore Diameter	18 mm
d	18 mm
B	23 mm
d2	46 mm
dk	31,75 mm
h	72 mm
l1 min.	41 mm
l2 max.	95 mm
l7 min.	— mm
r min.	0,6 mm
C1	17,5 mm
Thread (G)	M18 × 1,5
Angle	13 °
Weight	0,31 Kg
Basic dynamic load rating (C)	29 kN

SAJK18C Bearing 2D drawings and 3D CAD models