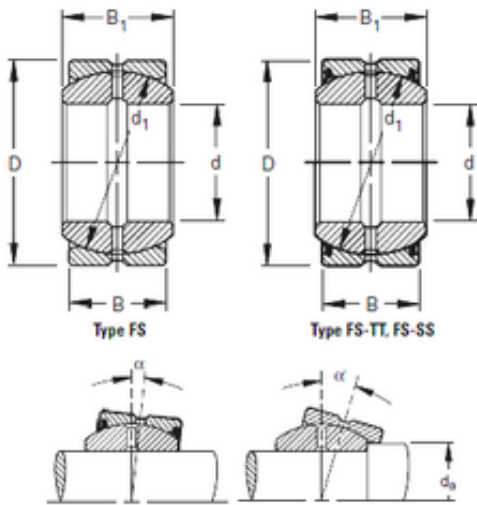




# CSC BEARING GROUP limited



## Timken 200FS290 sliding bearing

Bearing No. 200FS290

Size	200x290x100 mm
Bore Diameter	200 mm
Outer Diameter	290 mm
Width	100 mm
d	200 mm
D	290 mm
B1	130 mm
C	100 mm
d1	265 mm

200FS290 Bearing 2D drawings and 3D CAD models