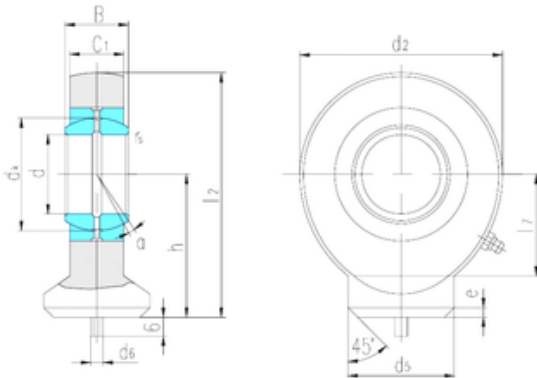




# CSC BEARING GROUP limited



## LS SK70ES sliding bearing

Bearing No. SK70ES

Bore Diameter	70 mm
d	70 mm
B	49 mm
d2	160 mm
d6	10 mm
dk	92 mm
h	115 mm
l1 min.	195 mm
l2 max.	85,5 mm
l7 min.	80 mm
r min.	1 mm
C1	42 mm
Angle	6 °
d5	6 r/min
Weight	7 Kg
Basic dynamic load rating (C)	313 kN

SK70ES Bearing 2D drawings and 3D CAD models