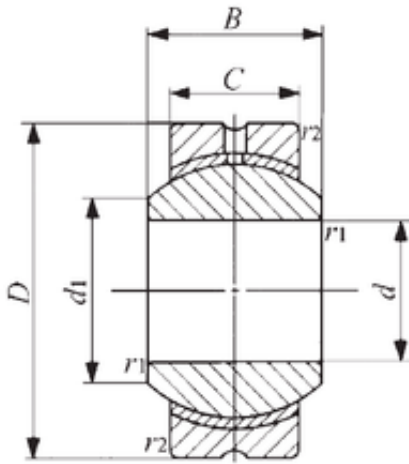




CSC BEARING GROUP limited



18 mm x 42 mm x 23 mm IKO PB 18 sliding bearing

Bearing No. PB 18

Size	18x42x23 mm
Bore Diameter	18 mm
Outer Diameter	42 mm
Width	23 mm
d	18 mm
D	42 mm
B	23 mm
C	16,5 mm
d1	21,9 mm
dk	31,75 mm
r min.	0,3 mm
Weight	0,16 Kg
Basic dynamic load rating (C)	25,7 kN

PB 18 Bearing 2D drawings and 3D CAD models