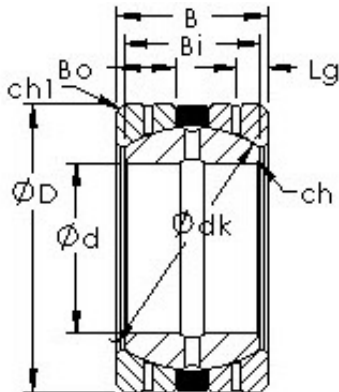




CSC BEARING GROUP limited



AST GEGZ114HS/K sliding bearing

Bearing No. GEGZ114HS/K

Bore Diameter	114,3 mm
Outer Diameter	196,85 mm
Width	131,064 mm
Bearing Type	double direction thrust
Bore Dia (d)	4.5000
Outer Dia (D)	7.7500
Width (B)	5.1600
Outer Width (Bo)	2.4550
Inner Width (Bi)	4.6900
Dynamic Load Rating (Cr)	276,498
Static Load Rating (Cor)	1,105,991
Max. shaft corner radius, or 45 deg. chamfer (ch1)	0.080
Max. housing corner radius, or 45 deg. chamfer (ch)	0.180
Spherical Diameter (dk or Dk)	7.205
Lubrication Groove Location (A)	1.000
Weight (g)	14,880.00
Material	52100 Chrome steel, or equivalent

GEGZ114HS/K Bearing 2D drawings and 3D CAD models