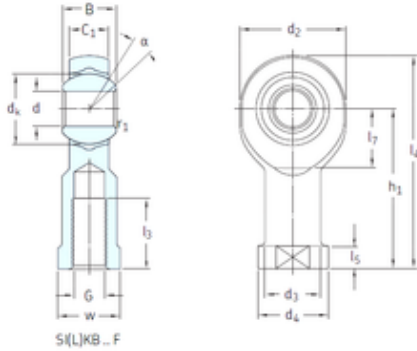




CSC BEARING GROUP limited

SKF SIKB16F sliding bearing



Bearing No. SIKB16F

Bore Diameter	16 mm
d	16 mm
d2 max.	43 mm
d3	22 mm
d4 max.	29 mm
dk	28,5 mm
h1	64 mm
l3 min.	24 mm
l4 max.	86 mm
l5	8 mm
l7 min.	21 mm
r1 min.	0,3 mm
B	21 mm
C1 max	15 mm
w	22 Tolerance h14
Thread (G)	M16 Tolerance 6H
Angle	15 °
Weight	0,23 Kg
Basic dynamic load rating (C)	21,4 kN

SIKB16F Bearing 2D drawings and 3D CAD models