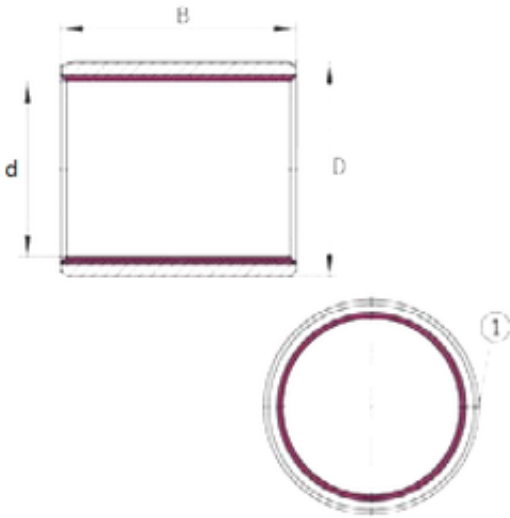




CSC BEARING GROUP limited



20 mm x 23 mm x 25 mm INA EGB2025-E40 sliding bearing

Bearing No. EGB2025-E40

EGB2025-E40 Bearing 2D drawings and 3D CAD models

Size	20x23x25 mm
Bore Diameter	20 mm
Outer Diameter	23 mm
Width	25 mm
d	20 mm
D	23 mm
B	25 mm
Category	Plain Bearings
Inventory	0.0
Manufacturer Name	SCHAEFFLER GROUP
Minimum Buy Quantity	N/A
UNSPSC	31171515
Weight / Kilogram	0
Product Group	B04264
Profile	Bushing No Flange Split
Material Description	Steel Backing, Bronze Innerstructure, PTFE-lead Overlay
Material	Permaglide P10
Inch - Metric	Metric
Long Description	20MM Nominal Bore; 23MM Nominal Outside Diameter; 25MM Length Thru Bore; Bushing No Flange Split Profile; Steel Backing, Bronze Innerstructure, PTFE-lead Overlay; Permaglide P10



CSC BEARING GROUP limited

	Material
Category	Sleeve Bearings
Harmonized Tariff Code	84833080
Noun	Bearing
Keyword String	Plain
Manufacturer URL	http://www.ina.com
Manufacturer Item Number	PAP2025P10
Weight / LBS	0.056
Nominal Bore	0.787 Inch 20 Millimeter
Length Thru Bore	0.984 Inch 25 Millimeter
Nominal Outside Diameter	0.906 Inch 23 Millimeter