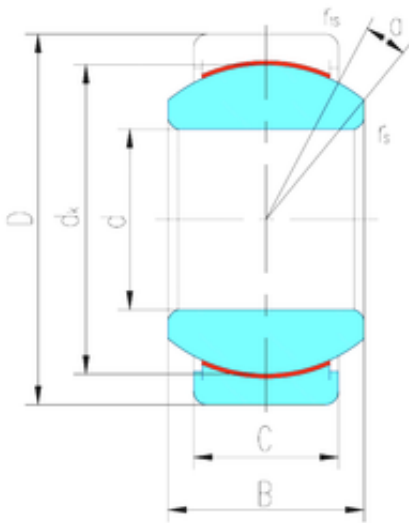




# CSC BEARING GROUP limited



152,4 mm x 222,25 mm x 120,65 mm LS  
GEZ152ET-2RS sliding bearing

Bearing No. GEZ152ET-2RS

Size	152.4x222.25x120.65 mm
Bore Diameter	152,4 mm
Outer Diameter	222,25 mm
Width	120,65 mm
d	152,4 mm
D	222,25 mm
B	120,65 mm
C	104,775 mm
dk	207 mm
r min.	1 mm
r1 min.	1 mm
Angle	5 °
Weight	17,5 Kg
Basic dynamic load rating (C)	2600 kN

GEZ152ET-2RS Bearing 2D drawings and 3D CAD models