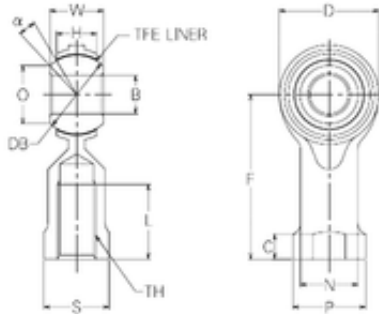




# CSC BEARING GROUP limited

## 4 mm x 14 mm x 4 mm NMB RBT4 sliding bearing



Bearing No. RBT4

Bore Diameter	4 mm
d	4 mm
P	9,5 mm
Db	10,32 mm
O	7,6 mm
B	4 mm
C	4 mm
D	14 mm
F	24 mm
H	5,25 mm
L	12 mm
N	8 mm
S	8 mm
W	7 mm
Angle	12 °
Thread (TH)	M4 × 0,7
Weight	0,012 Kg
Basic static load rating (C0)	2,45 kN

RBT4 Bearing 2D drawings and 3D CAD models