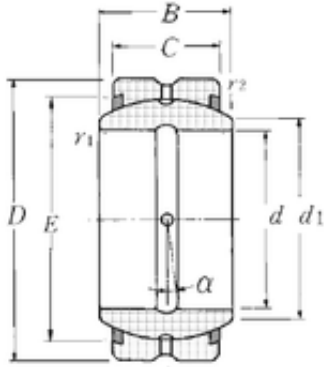




CSC BEARING GROUP limited

25 mm x 42 mm x 20 mm NTN SA1-25BSS sliding bearing



Bearing No. SA1-25BSS

Size	25x42x20 mm
Bore Diameter	25 mm
Outer Diameter	42 mm
Width	20 mm
d	25 mm
D	42 mm
B	20 mm
C	16 mm
d1	29,3 mm
r1 min.	0,6 mm
r2 min.	0,6 mm
E	35,5 mm
Angle	7 °
Weight	0,115 Kg
Category	Plain Bearings
Inventory	0.0
Manufacturer Name	NTN
Minimum Buy Quantity	N/A
Weight / Kilogram	0.11
Product Group	B04264

SA1-25BSS Bearing 2D drawings and 3D CAD models