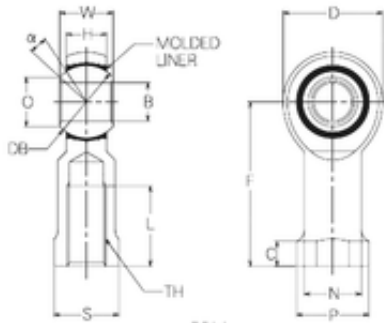




# CSC BEARING GROUP limited

## 10 mm x 26 mm x 10 mm NMB RBM10 sliding bearing



Bearing No. RBM10

Bore Diameter	10 mm
d	10 mm
P	19 mm
Db	19,05 mm
O	12,9 mm
B	10 mm
C	6,5 mm
D	26 mm
F	43 mm
H	10,5 mm
L	21 mm
N	15 mm
S	17 mm
W	14 mm
Angle	14 °
Thread (TH)	M10 × 1,5
Weight	0,075 Kg
Basic static load rating (C0)	5,14 kN

RBM10 Bearing 2D drawings and 3D CAD models