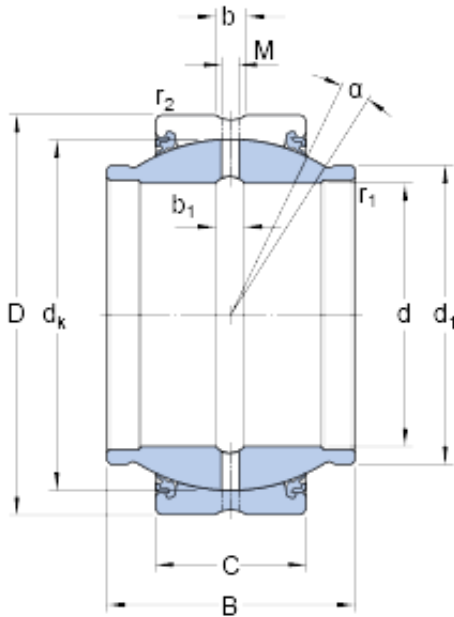




CSC BEARING GROUP limited

57.15 mm x 90.488 mm x 85.725 mm SKF GEZM 204 ES-2LS sliding bearing



GEZM 204 ES-2LS Bearing 2D drawings and 3D CAD models

Bearing No. GEZM 204 ES-2LS

Size	90.488x57.15x85.725 mm
Bore Diameter	90,488 mm
Outer Diameter	57,15 mm
Width	85,725 mm
d	57.15 mm
D	90.488 mm
B	85.725 mm
C	42.85 mm
	5 °
d _k	82.169 mm
d ₁	70.104 mm
b	5.7 mm
b ₁	5 mm
M	4 mm
r ₁ - min.	1 mm
r ₂ - min.	1 mm
d _a - min.	63.1 mm
d _a - max.	70.1 mm
D _a - min.	79 mm
D _a - max.	85.3 mm
r _a - max.	1 mm
r _b - max.	1 mm
Basic dynamic load rating - C	280 kN
Basic static load rating - C ₀	850 kN



CSC BEARING GROUP limited

Specific factor dynamic load - K	100 N/mm ²
Specific factor static load - K ₀	300 N/mm ²
Constant - K _M	330
Lubricant	Regular relubrication – grease
Design (sliding contact surface combination)	Steel/steel
Sealing solution	Triple-lip seals
	5 °
d _k	82.169 mm
d ₁	70.104 mm
b ₁	5 mm
r ₁ min.	1 mm
r ₂ min.	1 mm
d _a min.	63.1 mm
d _a max.	70.1 mm
D _a min.	79 mm
D _a max.	85.3 mm
r _a max.	1 mm
r _b max.	1 mm
Basic dynamic load rating C	280 kN
Basic static load rating C ₀	850 kN
Specific dynamic load factor K	100 N/mm ²
Specific static load factor K ₀	300 N/mm ²
Material constant K _M	330
Mass plain bearing	1.65 kg