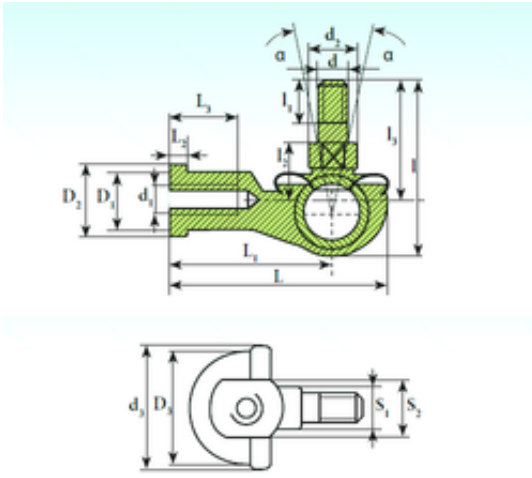




# CSC BEARING GROUP limited



## ISB SQ 14 C RS-1 sliding bearing

Bearing No. SQ 14 C RS-1

d	14 mm
S1	17 mm
L2	8 mm
L3	26 mm
l	79,5 mm
d2	19 mm
d3	38 mm
l1 min.	28 mm
l2 max.	21,5 mm
l3 min.	62 mm
D1	20 mm
D2	25 mm
D3	35 mm
L	75 mm
L1	57 mm
S2	22 mm
Thread (G)	M14x2
Angle	25 °
Weight	0,254 Kg
Basic dynamic load rating (C)	14 kN

SQ 14 C RS-1 Bearing 2D drawings and 3D CAD models