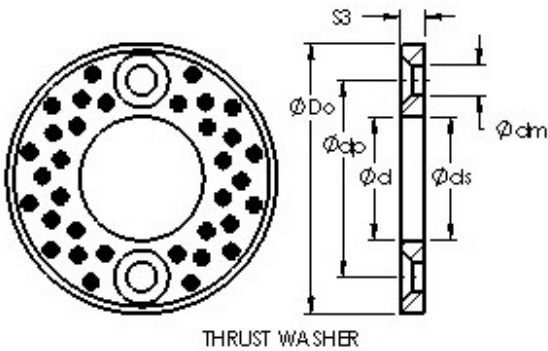




CSC BEARING GROUP limited



AST AST650 WC16 sliding bearing

Bearing No. AST650 WC16

Bore Diameter	16 mm
Outer Diameter	50 mm
Bearing Type	thrust washer
Shaft Dia., Nominal (d)	16.0000
Bearing Outside Diameter, Nominal (Do)	50.000
Washer Inside Diameter, Nominal (di)	16
Washer Outside Diameter, Nominal (Do)	50
Washer Thickness, Nominal (S)	3
Washer Thickness Tolerance (S3 tol.) - +0 / -0.1	+0 / 0.1
Mounting Hole Dia. (dm)	3.500
Mounting Hole Pitch Dia. (dp)	35
Material	Cast bronze with solid lubricant inserts.

AST650 WC16 Bearing 2D drawings and 3D CAD models