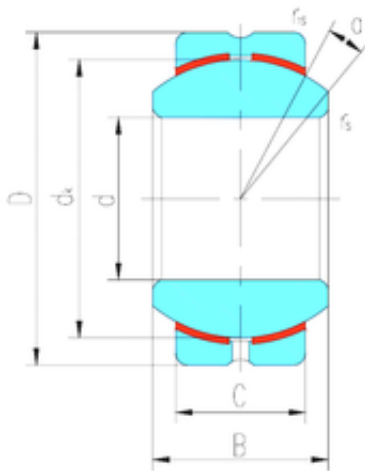




CSC BEARING GROUP limited



16 mm x 38 mm x 21 mm LS GEBK16S sliding bearing

Bearing No. GEBK16S

Size	16x38x21 mm
Bore Diameter	16 mm
Outer Diameter	38 mm
Width	21 mm
d	16 mm
D	38 mm
B	21 mm
C	15 mm
dk	28,58 mm
r min.	0,3 mm
r1 min.	0,6 mm
Angle	15 °
Weight	0,118 Kg
Basic dynamic load rating (C)	21 kN

GEBK16S Bearing 2D drawings and 3D CAD models