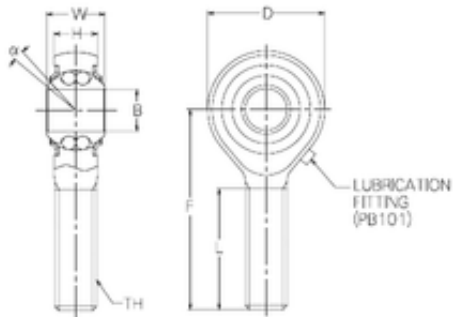




# CSC BEARING GROUP limited

5 mm x 18 mm x 5 mm NMB PBR5EFN Self aligning ball bearing



Bearing No. PBR5EFN

Bore Diameter	5 mm
d	5 mm
B	5 mm
D	18 mm
F	33 mm
H	6,75 mm
L	16 mm
W	8 mm
Angle	5,5 °
Thread (TH)	M5 x 0,8
Weight	0,016 Kg
Basic dynamic load rating (C)	1,15 kN

PBR5EFN Bearing 2D drawings and 3D CAD models