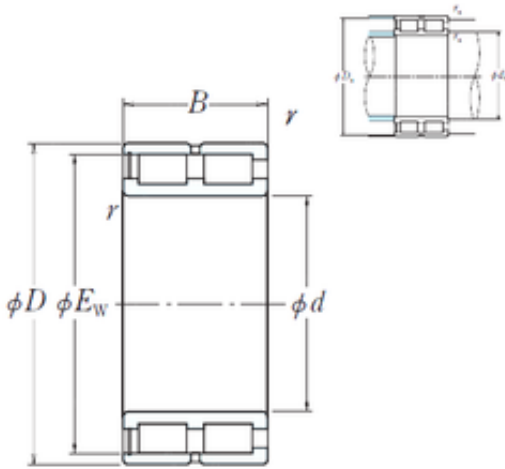




# CSC BEARING GROUP limited

## 340 mm x 520 mm x 243 mm NSK NNCF5068V roller bearing

Bearing No. NNCF5068V



NNCF5068V Bearing 2D drawings and 3D CAD models

Size	340x485.8x243 mm
Bore Diameter	340 mm
Outer Diameter	485,8 mm
Width	243 mm
d	340 mm
D	520 mm
Ew	485,8 mm
B	243 mm
C	243 mm
r min.	5 mm
Da	490 mm
ra max.	4 mm
da	368 mm
Weight	177 Kg
Basic dynamic load rating (C)	4250 kN