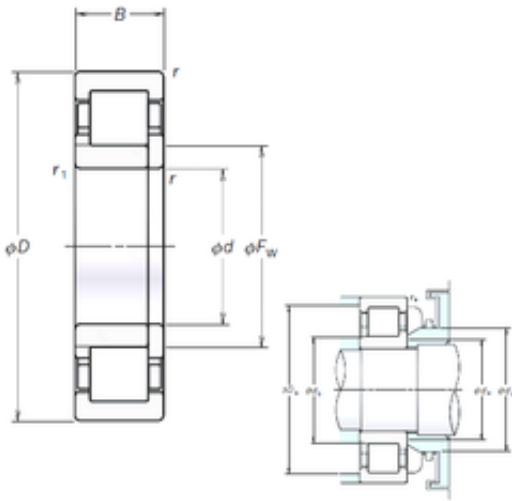




# CSC BEARING GROUP limited



190 mm x 400 mm x 78 mm NSK NUP338EM roller bearing

Bearing No. NUP338EM

NUP338EM Bearing 2D drawings and 3D CAD models

Size	190x400x78 mm
Bore Diameter	190 mm
Outer Diameter	400 mm
Width	78 mm
d	190 mm
Fw	245 mm
D	400 mm
B	78 mm
C	78 mm
r min.	5 mm
r1 min.	5 mm
da min.	210 mm
Da max.	380 mm
db max.	240 mm
db min	210 mm
ra max.	4 mm
rb max.	4 mm
S	1,7 mm
Db max	380 mm
Weight	50,6 Kg
Basic dynamic load rating (C)	1060 kN
Basic static load rating (C0)	1340 kN
(Grease) Lubrication Speed	1400 r/min
hidYobi	NUP338EM
LangID	1



## CSC BEARING GROUP limited

D_	400
Macha rpm	2600
B_	78
hidTable	ecat_NSCLDR
Oil rpm	1700
rb	4
mass	51.4
GRS rpm	1400
ra	4
db max	240
TSR rpm	1600
C0	1340
DE_	353
Prod_Type3	CRB_SR_NUP
da	210
DA_	54
Z_	14
D_a max	380
yobi	NUP338EM
dd min	268
C_conv	1060000
ALPHA_	0
SDM_	299
r	5
dc min	248
KBRG	4165
SBRG	3
r1	5
DI_	245