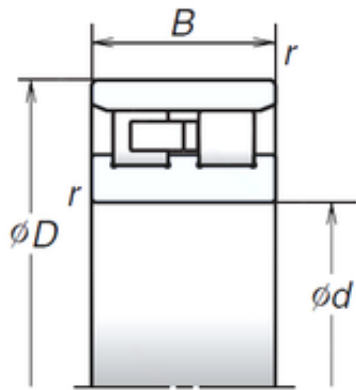




# CSC BEARING GROUP limited



\*Cylindrical Bore

30 mm x 55 mm x 19 mm NSK NN3006MB  
roller bearing

Bearing No. NN3006MB

Size	30x48.5x19 mm
Bore Diameter	30 mm
Outer Diameter	48,5 mm
Width	19 mm
d	30 mm
D	55 mm
E	48,5 mm
B	19 mm
C	19 mm
r min.	1 mm
Weight	0,198 Kg
Basic dynamic load rating (C)	31 kN
Basic static load rating (C0)	37 kN
(Grease) Lubrication Speed	17 700 r/min

NN3006MB Bearing 2D drawings and 3D CAD models