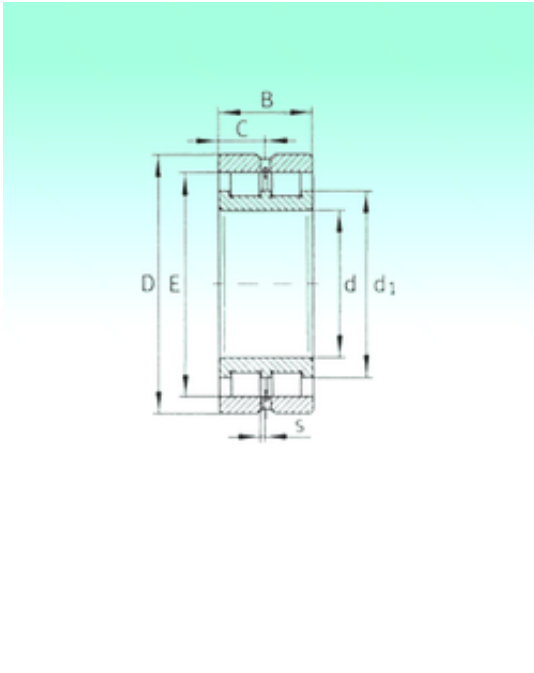




CSC BEARING GROUP limited



SL024932 Bearing 2D drawings and 3D CAD models

160 mm x 220 mm x 60 mm NBS SL024932 roller bearing

Bearing No. SL024932

Size	160x206.16x60 mm
Bore Diameter	160 mm
Outer Diameter	206,16 mm
Width	60 mm
d	160 mm
D	220 mm
E	206,16 mm
B	60 mm
C	60 mm
d1	184,2 mm
C	30 mm
S	4 mm
Weight	6,8 Kg
Basic dynamic load rating (C)	435 kN
Basic static load rating (C0)	900 kN