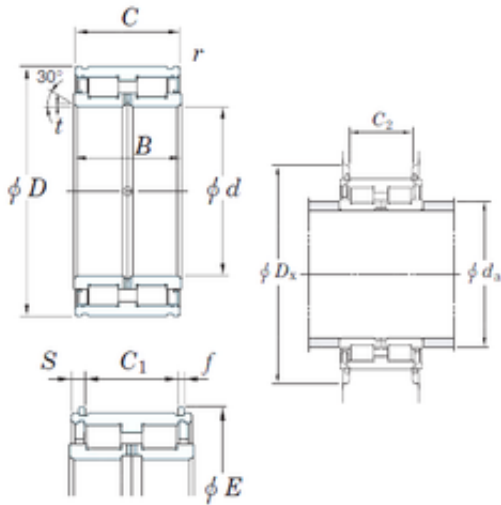




# CSC BEARING GROUP limited

80 mm x 125 mm x 60 mm KOYO DC5016NR roller bearing

Bearing No. DC5016NR



DC5016NR Bearing 2D drawings and 3D CAD models

Size	80x125x60 mm
Bore Diameter	80 mm
Outer Diameter	125 mm
Width	60 mm
d	80 mm
D	125 mm
B	60 mm
C	59 mm
t	1,2 mm
f	2,5 mm
r min.	0,6 mm
C1	48 mm
E	129,5 mm
S	5,5 mm
Ca	48 mm
da min.	88 mm
Da min	146 mm
Weight	2,65 Kg
Basic dynamic load rating (C)	250 kN
Bearing No.	DC5016NR
r(min)	0.6
Cr	250
C0r	429
da(min)	88
Dx(min)	146



## CSC BEARING GROUP limited

C2	48
(Refer.) Mass(kg)	2.65