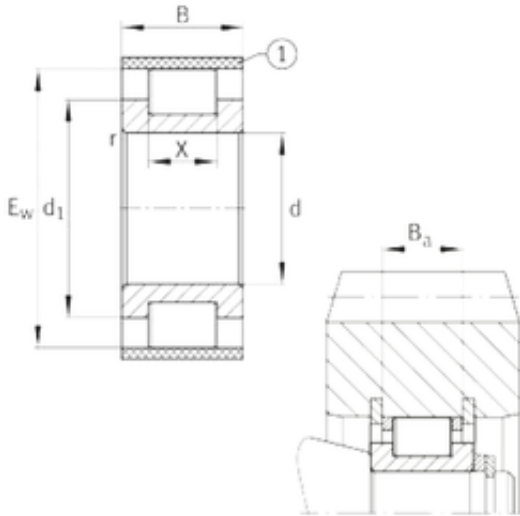




CSC BEARING GROUP limited

INA RSL183020-A roller bearing

Bearing No. RSL183020-A



RSL183020-A Bearing 2D drawings and 3D CAD models

Size	100x139.65x37 mm
Bore Diameter	100 mm
Outer Diameter	139,65 mm
Width	37 mm
d	100 mm
Ew	139,65 mm
B	37 mm
Ba	32,6 mm
X	22 mm
d1	116 mm
r min.	1,5 mm
Weight	1,38 Kg
Basic dynamic load rating (C)	218 kN