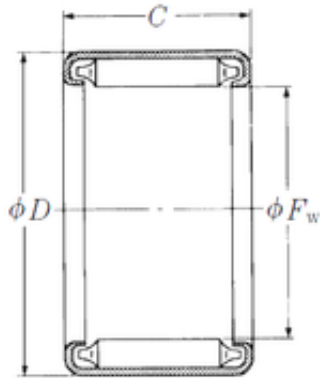




# CSC BEARING GROUP limited

## NSK BH-1820 Needle bearing



Bearing No. BH-1820

Size	28.575x38.1x31.75 mm
Bore Diameter	28,575 mm
Outer Diameter	38,1 mm
Width	31,75 mm
Fw	28,575 mm
D	38,1 mm
C	31,75 mm
Weight	0,098 Kg
Basic dynamic load rating (C)	51 kN

BH-1820 Bearing 2D drawings and 3D CAD models