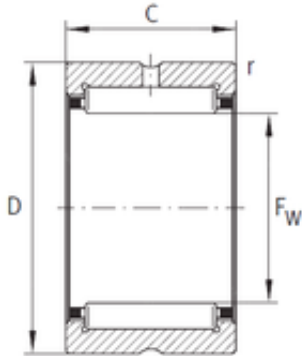




CSC BEARING GROUP limited

INA RNA6901-XL Needle bearing



Bearing No. RNA6901-XL

Size	16x24x22 mm
Bore Diameter	16 mm
Outer Diameter	24 mm
Width	22 mm
F _w	16 mm
D	24 mm
C	22 mm
r min.	0,3 mm
Weight	0,031 Kg
Basic dynamic load rating (C)	18,1 kN
Basic static load rating (C ₀)	21,6 kN
Fatigue load limit (P _u)	3,8
Reference speed	17 000 r/min

RNA6901-XL Bearing 2D drawings and 3D CAD models