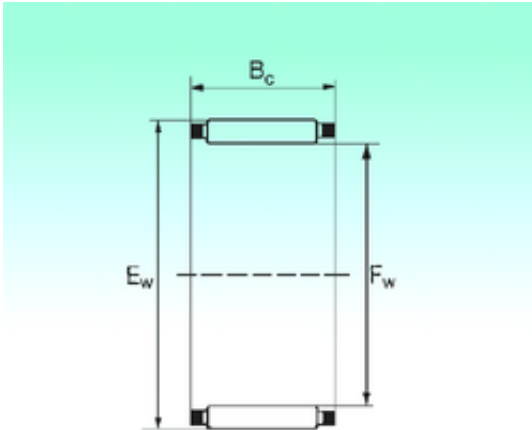




CSC BEARING GROUP limited



NBS K 20x26x17 Needle bearing

Bearing No. K 20x26x17

Bore Diameter	20 mm
Outer Diameter	26 mm
Fw	20 mm
Ew	26 mm
Bc	17 mm
Weight	0,0182 Kg
Basic dynamic load rating (C)	18,7 kN
Basic static load rating (C0)	25,5 kN

K 20x26x17 Bearing 2D drawings and 3D CAD models