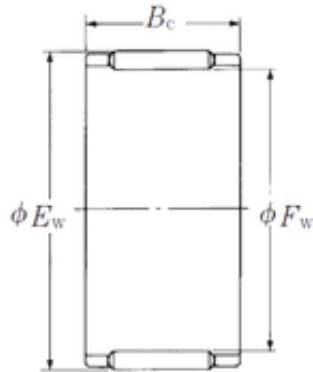




# CSC BEARING GROUP limited

## NSK FBNP-91210 Needle bearing



Bearing No. FBNP-91210

Bore Diameter	9 mm
Outer Diameter	12 mm
Fw	9 mm
Ew	12 mm
Bc	10 mm
Weight	0,002 Kg
Basic dynamic load rating (C)	3,75 kN
Basic static load rating (C0)	3,85 kN
(Grease) Lubrication Speed	30000 r/min
(Oil) Lubrication Speed	50000 r/min
hidYobi	FBNP-91210
LangID	1
Prod_Type3	NRB_CNRA_FWF-FWJ
d	9
D_	12
DA_	1.5
Z_	11
C	3.75
B_	10
hidTable	ecat_NSCRA
yobi	FBNP-91210
mass	2
GRS rpm	30000
OIL rpm	50000
SDM_	10.5
KBRG	8118

FBNP-91210 Bearing 2D drawings and 3D CAD models



## CSC BEARING GROUP limited

C0	3.85
SLR	6.8