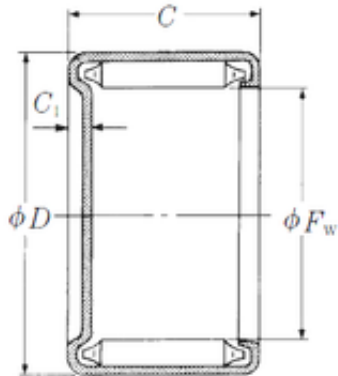




CSC BEARING GROUP limited

NSK M-341 Needle bearing



Bearing No. M-341

Dimensione	4.762x8.731x6.35 mm
Marchio	NSK
Diametro del foro	4,762 mm
Diametro esterno	8,731 mm
Larghezza	6,35 mm
Fw	4,762 mm
D	8,731 mm
C	6,35 mm
C2	1,8 mm
Peso	0,0023 Kg
Carico dinamico di base (C)	2,1 kN

M-341 Bearing 2D drawings and 3D CAD models