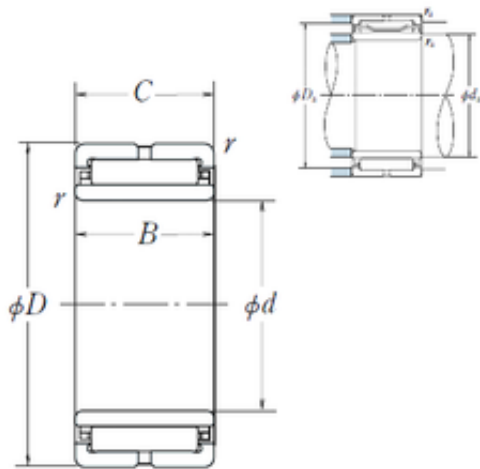




CSC BEARING GROUP limited

25 mm x 42 mm x 17 mm NSK NA4905 Needle bearing



Bearing No. NA4905

Size	25x42x17 mm
Bore Diameter	25 mm
Outer Diameter	42 mm
Width	17 mm
d	25 mm
Fw	30 mm
D	42 mm
B	17 mm
C	17 mm
r min.	0,3 mm
da min.	27 mm
Da max.	40 mm
ra max.	0,3 mm
Weight	0,091 Kg
Basic dynamic load rating (C)	21,4 kN
Basic static load rating (C0)	26,8 kN
(Grease) Lubrication Speed	9000 r/min
hidYobi	NA4905
LangID	1
D_	42
B_	17
hidTable	ecat_NSMRNR
GRS rpm	9000
ra	0.3
da_min	27

NA4905 Bearing 2D drawings and 3D CAD models



CSC BEARING GROUP limited

d2	25
C0	26.8
C1_	17
DE_	38
SLR	11.8
Prod_Type3	NRB_S_NA
DA_	4
Z_	16
SI	30
yobi	NA4905
da_max	40
OIL rpm	14000
SDM_	34
r	0.3
KBRG	8353
mass2	0.091
B1	17