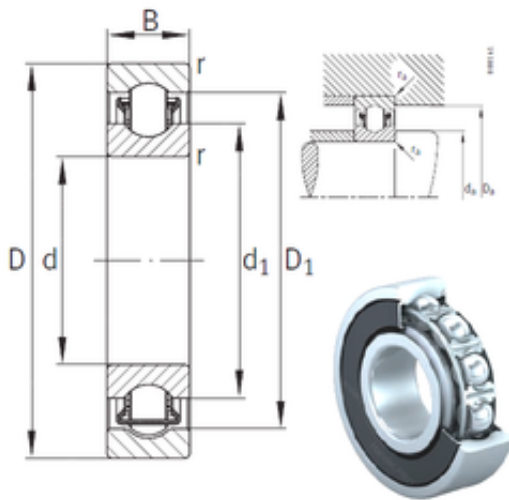




CSC BEARING GROUP limited



BXRE08-2HRS Bearing 2D drawings and 3D CAD models

8 mm x 22 mm x 7 mm INA BXRE08-2HRS Needle bearing

Bearing No. BXRE08-2HRS

Size	8x22x7 mm
Bore Diameter	8 mm
Outer Diameter	22 mm
Width	7 mm
d	8 mm
D	22 mm
B	7 mm
C	7 mm
d1	14,5 mm
r min.	0,3 mm
D1	18,5 mm
da min.	10 mm
Da max.	20 mm
ra max.	0,3 mm
Weight	0,013 Kg
Basic dynamic load rating (C)	4,4 kN
Basic static load rating (C0)	2,37 kN
Fatigue load limit (Pu)	120