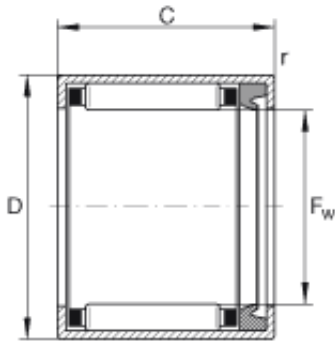




CSC BEARING GROUP limited



INA HK1012-RS Needle bearing

Bearing No. HK1012-RS

Size	10x14x12 mm
Bore Diameter	10 mm
Outer Diameter	14 mm
Width	12 mm
F_w	10 mm
D	14 mm
C - 12 mm / Tolerance: -0,3	12 mm / Tolerance: 0,3
r_{min}	0,4 mm
m	4,2 g / Weight
C_r	4400 N / Dynamic load rating (radial)
C_{Or}	5100 N / Static load rating (radial)
C_{ur}	650 N / Fatigue limit load, radial
$n_{G\ Fett}$	17000 1/min / Limiting speed for grease lubrication
Category	Bearings
Inventory	0.0
Manufacturer Name	SCHAEFFLER GROUP
Minimum Buy Quantity	N/A
Weight / Kilogram	0.01
EAN	4012802113068
Product Group	B04144

HK1012-RS Bearing 2D drawings and 3D CAD models