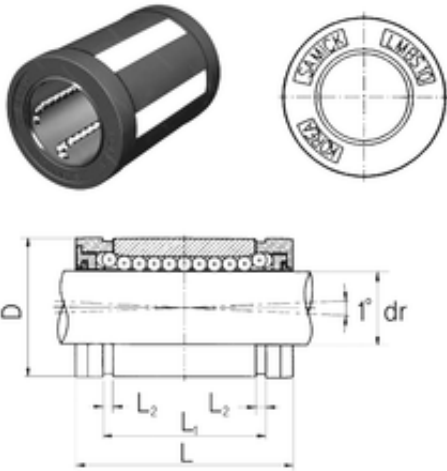




CSC BEARING GROUP limited



Samick LMBS12UU Linear bearing

Bearing No. LMBS12UU

Bore Diameter	19.05 mm
Outer Diameter	31,75 mm
d	19.05 mm
D	31,75 mm
L2	1,4224 mm
L	41,275 mm
L1	32,258 mm
Weight	0,064 Kg
Basic dynamic load rating (C)	226,796185 kN

LMBS12UU Bearing 2D drawings and 3D CAD models