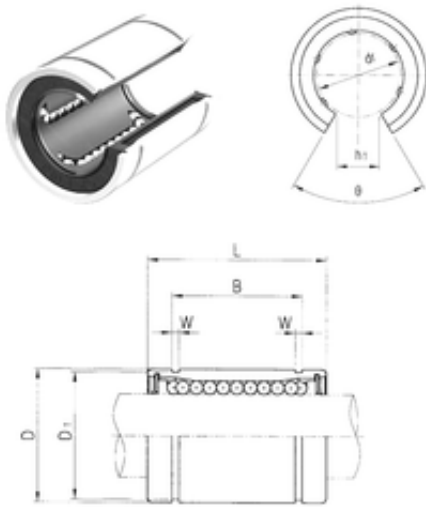




CSC BEARING GROUP limited



16 mm x 26 mm x 24,9 mm Samick
LME16UUOP Linear bearing

Bearing No. LME16UUOP

Size	16x26x24.9 mm
Bore Diameter	16 mm
Outer Diameter	26 mm
Width	24,9 mm
d	16 mm
D	26 mm
h1	10 mm
B	24,9 mm
D1	24,9 mm
L	36 mm
W	1,3 mm
	78 mm
Weight	0,057 Kg
Basic dynamic load rating (C)	0,77 kN

LME16UUOP Bearing 2D drawings and 3D CAD models