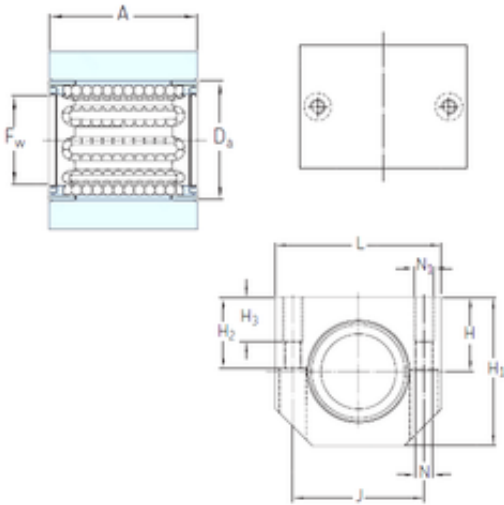




# CSC BEARING GROUP limited



## SKF LUHR 20-2LS Linear bearing

Bearing No. LUHR 20-2LS

Bore Diameter	20 mm
Fw	20 mm
H3	13 mm
Da	28 mm
A	30 mm
H	23 mm
H1	45 mm
H2	22 mm
J	40 mm
L	53 mm
N	5,3 mm
Thread (N1)	M6
Weight	0,14 Kg
Basic dynamic load rating (C)	1,16 kN

LUHR 20-2LS Bearing 2D drawings and 3D CAD models