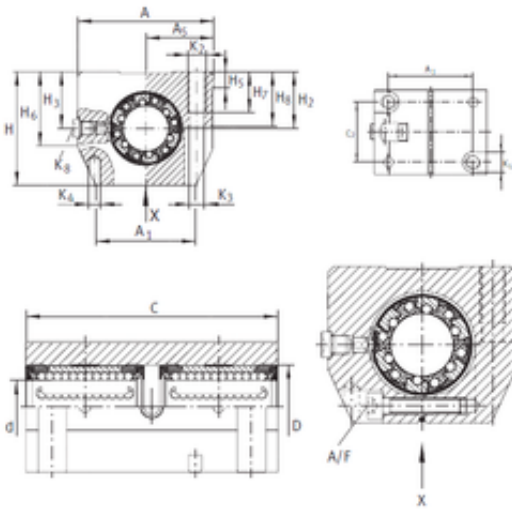




CSC BEARING GROUP limited

INA KTNS 16 C-PP-AS Linear bearing

Bearing No. KTNS 16 C-PP-AS



KTNS 16 C-PP-AS Bearing 2D drawings and 3D CAD models

Bore Diameter	16 mm
Outer Diameter	26 mm
d	16 mm
D	26 mm
A/F	3 mm
H5	7 mm
H6	28 mm
H7	13 mm
H8	21 mm
K3	5,3 mm
K4	4 mm
K5	10 mm
Thread (K2)	M6
H3	22 mm
A5	26,5 mm
C3	26 mm
A	53 mm
A1	40 mm
C	78 mm
H	42 mm
H2	22 mm
C2	64 mm
Weight	0,35 Kg
Basic dynamic load rating (C)	1,62 kN