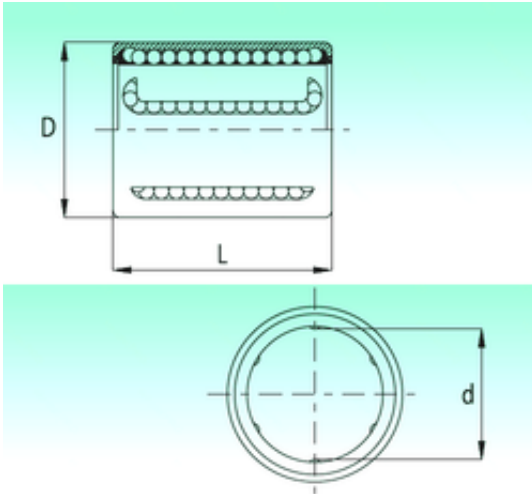




CSC BEARING GROUP limited



NBS KH2540 Linear bearing

Bearing No. KH2540

Bore Diameter	25 mm
Outer Diameter	35 mm
d	25 mm
D	35 mm
L	40 mm
Weight	0,066 Kg
Basic dynamic load rating (C)	1,99 kN

KH2540 Bearing 2D drawings and 3D CAD models