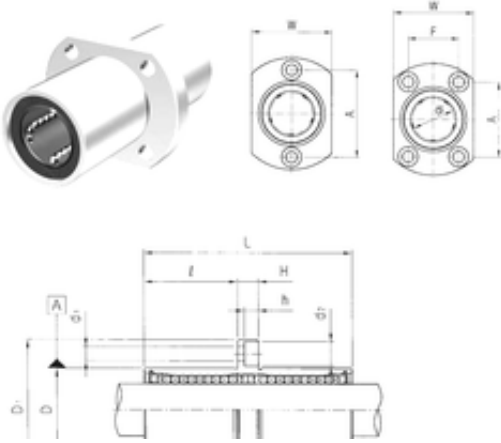




CSC BEARING GROUP limited

Samick LMHM25UU Linear bearing



LMHM25UU Bearing 2D drawings and 3D CAD models

Bearing No. LMHM25UU

Bore Diameter	25 mm
Outer Diameter	40 mm
d	25 mm
D	40 mm
d1	5,5 mm
d2	9,5 mm
h	5,4 mm
A	40 mm
D1	62 mm
F	32 mm
H	8 mm
L	112 mm
W	46 mm
	52 Tolerance h14
Tolerance perpendicularity (C)	20
Weight	0,515 Kg
Basic dynamic load rating (C)	1,56 kN