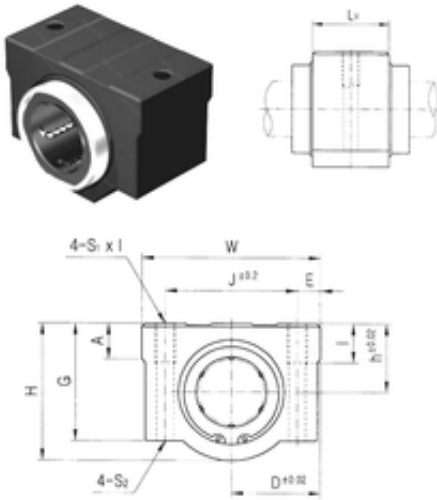




CSC BEARING GROUP limited



Samick SC12VNUU Linear bearing

Bearing No. SC12VNUU

Bore Diameter	12 mm
d	12 mm
h	15 mm
A	7,4 mm
D	21 mm
E	5,5 mm
G	24 mm
H	28 mm
J	30,5 mm
L	20,5 mm
S1x	M5
S2	4,3 mm
W	42 mm
Weight	0,074 Kg
Basic dynamic load rating (C)	0,41 kN

SC12VNUU Bearing 2D drawings and 3D CAD models