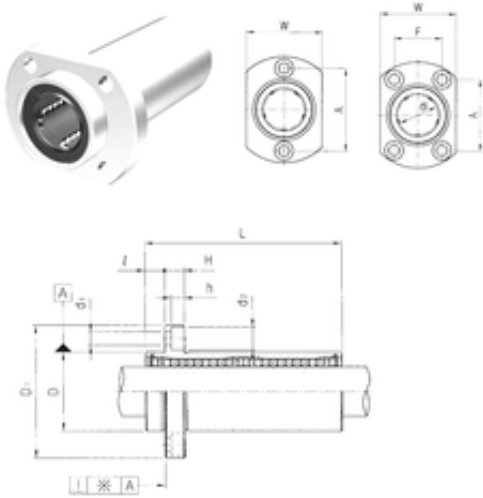




# CSC BEARING GROUP limited



LMHP10L Bearing 2D drawings and 3D CAD models

## Samick LMHP10L Linear bearing

Bearing No. LMHP10L

Bore Diameter	10 mm
Outer Diameter	19 mm
d	10 mm
D	19 mm
d1	4,5 mm
d2	8 mm
h	4,4 mm
A	29 mm
D1	40 mm
H	6 mm
L	55 mm
W	25 mm
	6 Tolerance h14
Tolerance perpendicularity (C)	15
Weight	0,105 Kg
Basic dynamic load rating (C)	0,58 kN